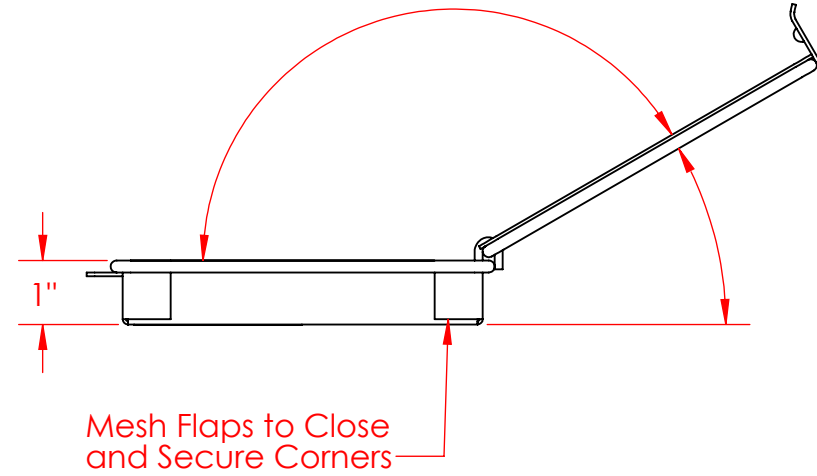
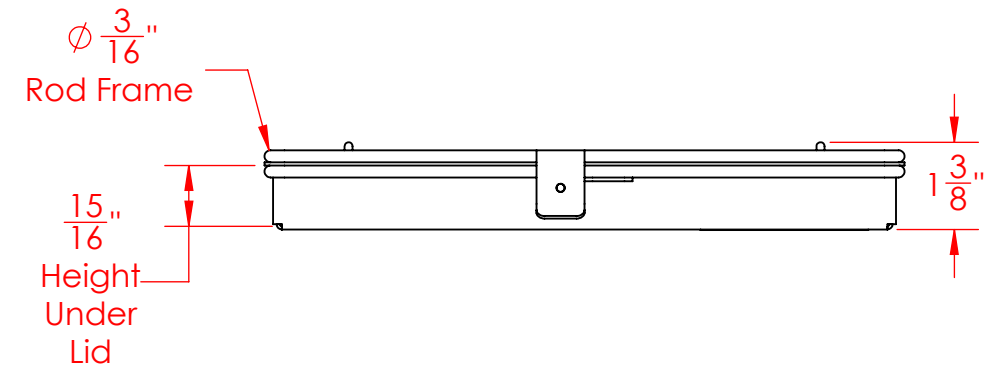
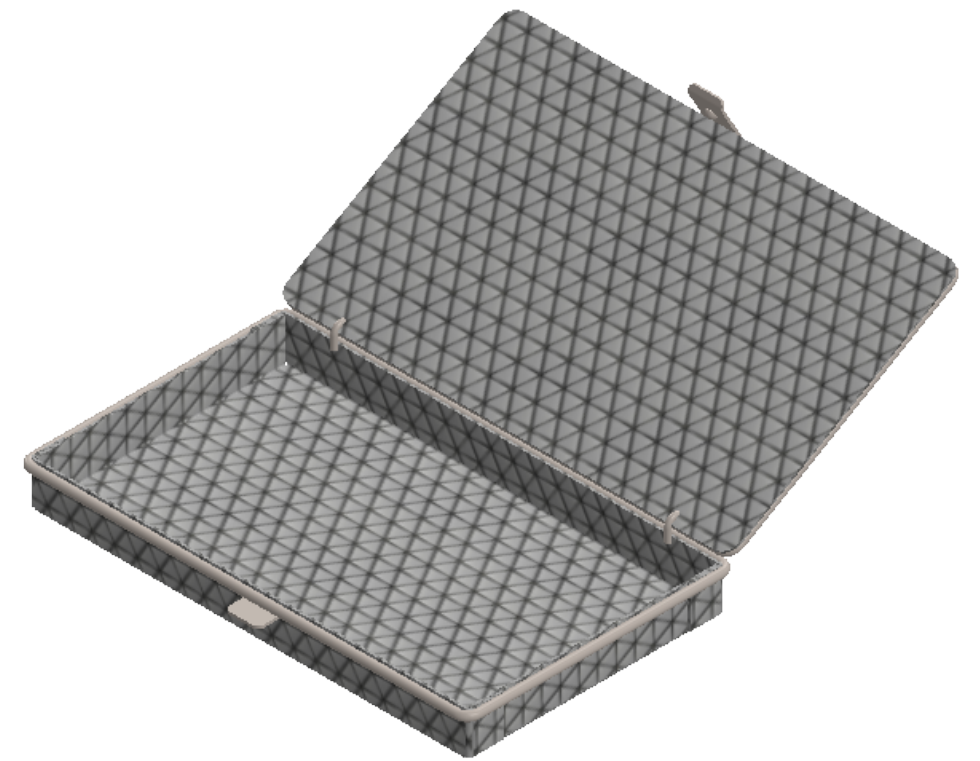
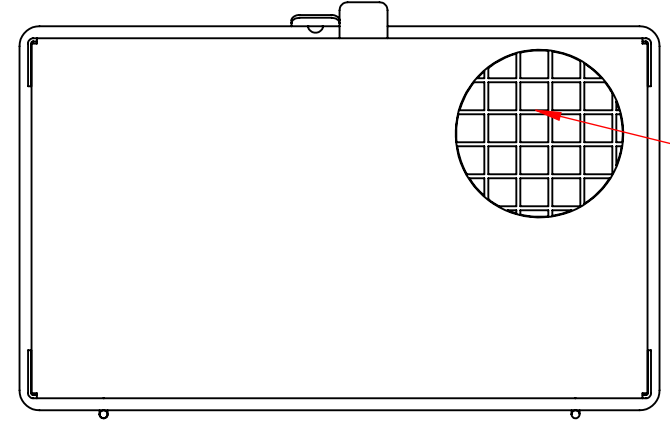
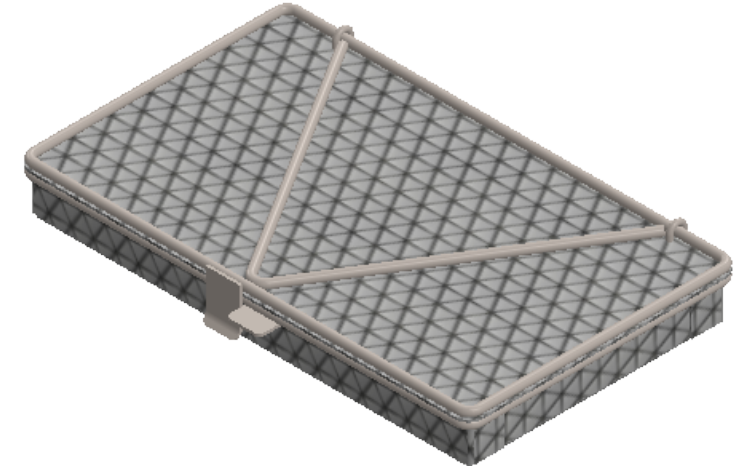


Lid Removed from View to show Approximate Inside Dimensions



Mesh Flaps to Close and Secure Corners



One Piece Mesh Body of 2 Mesh x .063" Welded Wire (.437" Openings, 76% Open Area)

UNLESS OTHERWISE SPECIFIED:
 DIMENSIONS ARE IN INCHES
 TOLERANCES:
 FRACTIONAL ± 1/16"
 ANGULAR: ± 5 DEG.
 TWO PLACE DECIMAL ±0.03
 THREE PLACE DECIMAL ±0.015

EST WGT
 1.1 lbs.
 MATERIAL
 304 Stainless Steel
 FINISH
 Natural

DO NOT SCALE DRAWING

Light Duty Mesh Basket: 10Lx6Wx1H, 304 SS, Hinged Lid with Thumb Clasp, No Handles, Mesh: 2 x .063

SIZE **B** DWG. NO. FLB-100060010-L02S

PROPRIETARY AND CONFIDENTIAL
 THE INFORMATION CONTAINED IN THIS DRAWING IS THE SOLE PROPERTY OF THREE M TOOL. ANY REPRODUCTION IN PART OR AS A WHOLE WITHOUT THE WRITTEN PERMISSION OF THREE M TOOL IS PROHIBITED.

SCALE: 1:3

SHEET 1 OF 1